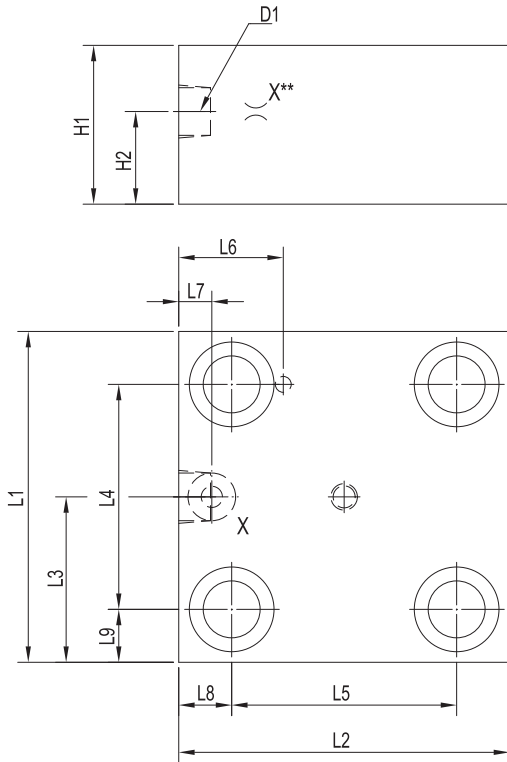
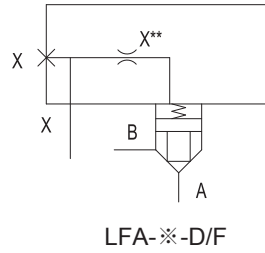


Control Cover With Remote Control Port

蓋板規格 CONTROL COVER SIZE : 16~63



閥類型符號 SYMBOL



規格 SPECIFICATION	X**	D1	H1	H2	L1	L2	L3	L4	L5	L6	L7	L8	L9
16	M6	G1/8	40	13.5	65	80	32.5	46	46	29.5	15	17	9.5
25	M6	G1/4	40	25	85	85	42.5	58	58	26.5	9.5	13.5	13.5
32	M6	G1/4	50	25	100	100	50	70	70	33	9	15	15
40	M8	G1/2	60	35	125	125	62.5	85	85	39.5	12.5	20	20
50	M8	G1/2	68	43	140	140	70	100	100	40	12	20	20
63	G3/8	G3/8	82	52	180	180	90	125	125	52	15	27.5	27.5

型號說明

HOW TO ORDER

LFA-16-D/F

型式 TYPE

D / F : 帶搖控的控制蓋板
CONTROL COVER WITH REMOTE
CONTROL PORT

規格 SIZE

16 / 25 / 32 / 40 / 50 / 63 / 80 / 100

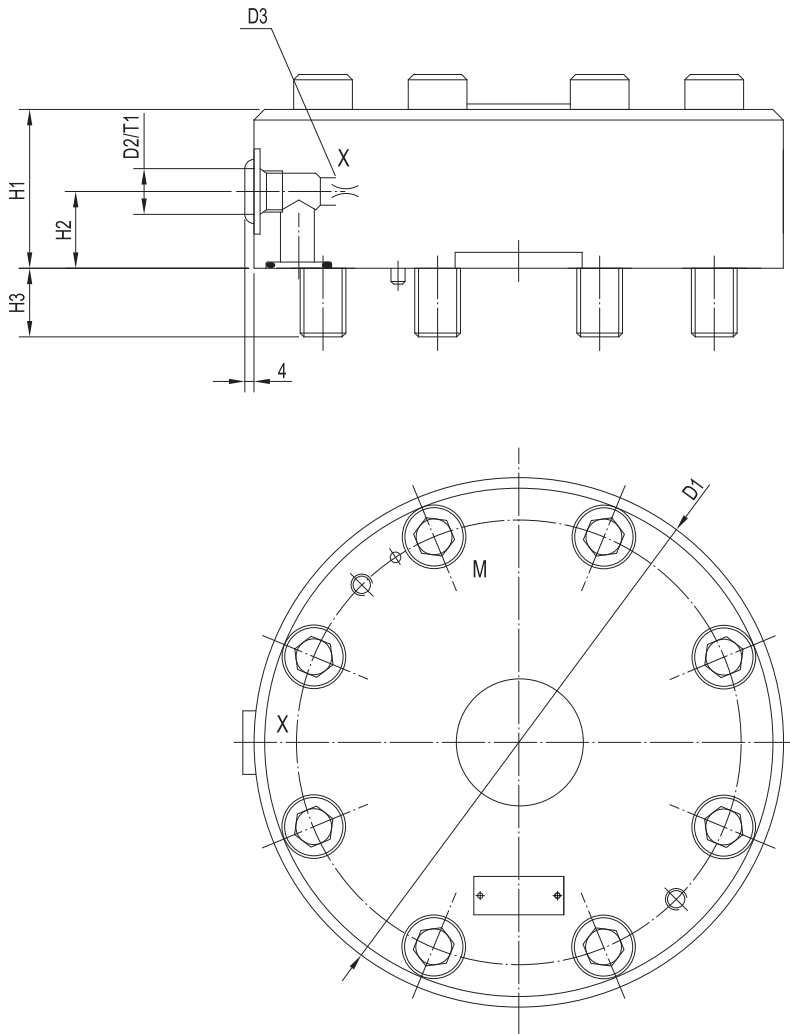
系列編號 SERIES NUMBER

單位 UNIT : mm

安裝尺寸 INSTALLATION DIMENSIONS

LFA-D/F

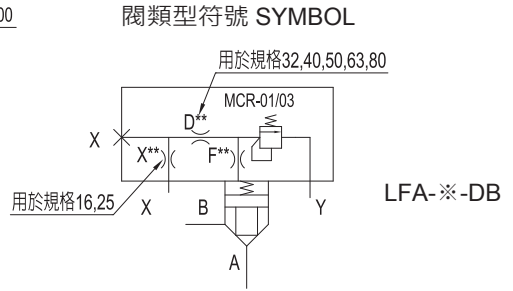
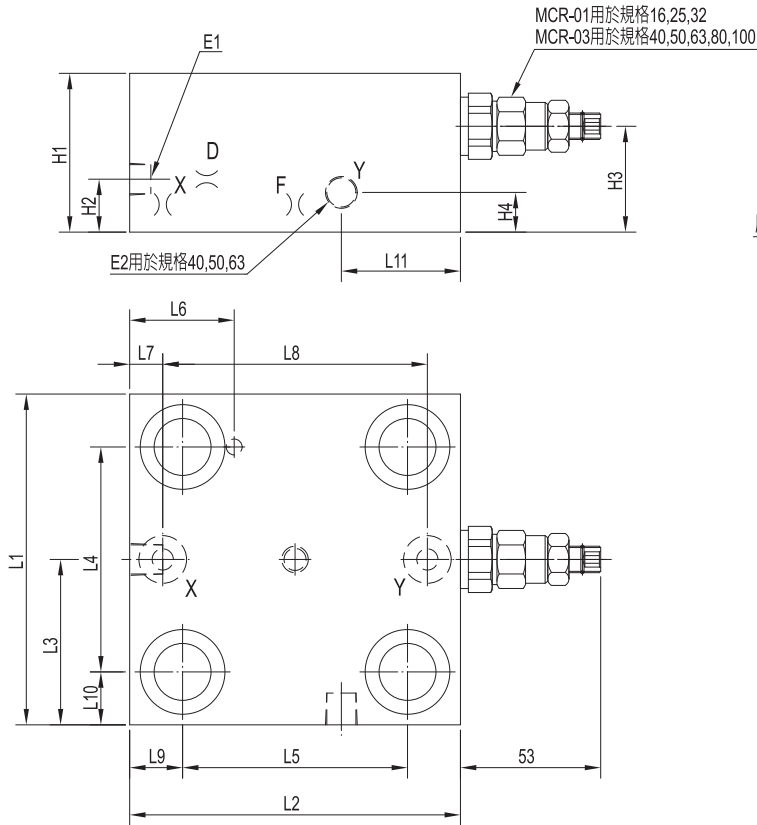
蓋板規格 CONTROL COVER SIZE : 80~100



規格 SPECIFICATION	D1	D2	D3	H1	H2	H3	H4	T1
80	250	G3/4	G3/8	70	35	45	-	16
100	300	G1	G1/2	75	40	52.5	24	18

Control Cover With Manual Pressure Adjustment

蓋板規格 CONTROL COVER SIZE : 16~63



規格 SPECIFICATION	X**	F**	D**	E1	E2	H1	H2	H3	H4	L1	L2	L3	L4	L5	L6	L7	L8	L9	L10	L11
16	0.8	1.0	/	G1/4	/	40	20	20	/	65	80	32.5	46	46	29.5	15	50	17	9.5	/
25	1.0	1.0	/	G1/4	/	40	15	20	/	85	85	42.5	58	58	26.5	9.5	66	13.5	13.5	/
32	/	1.2	0.8	G1/4	/	50	25	25	/	100	100	50	70	70	33	9	82	15	15	/
40	/	1.2	1.0	G1/4	G1/4	60	20	40	15	125	125	62.5	85	85	39.5	12.5	100	20	20	45
50	/	1.5	2.0	G1/2	G1/2	68	20	48	20	140	140	70	100	100	40	12	116	20	20	54
63	/	2.0	2.5	G1/2	G1/2	82	52	20	20	180	180	90	125	125	52	15	150	27.5	27.5	70

型號說明

HOW TO ORDER

LFA-16-DB

型式 TYPE

DB : 手動壓力調節控制蓋板
CONTROL COVER WITH MANUAL
PRESSURE ADJUSTMENT

規格 SIZE

16 / 25 / 32 / 40 / 50 / 63 / 80 / 100

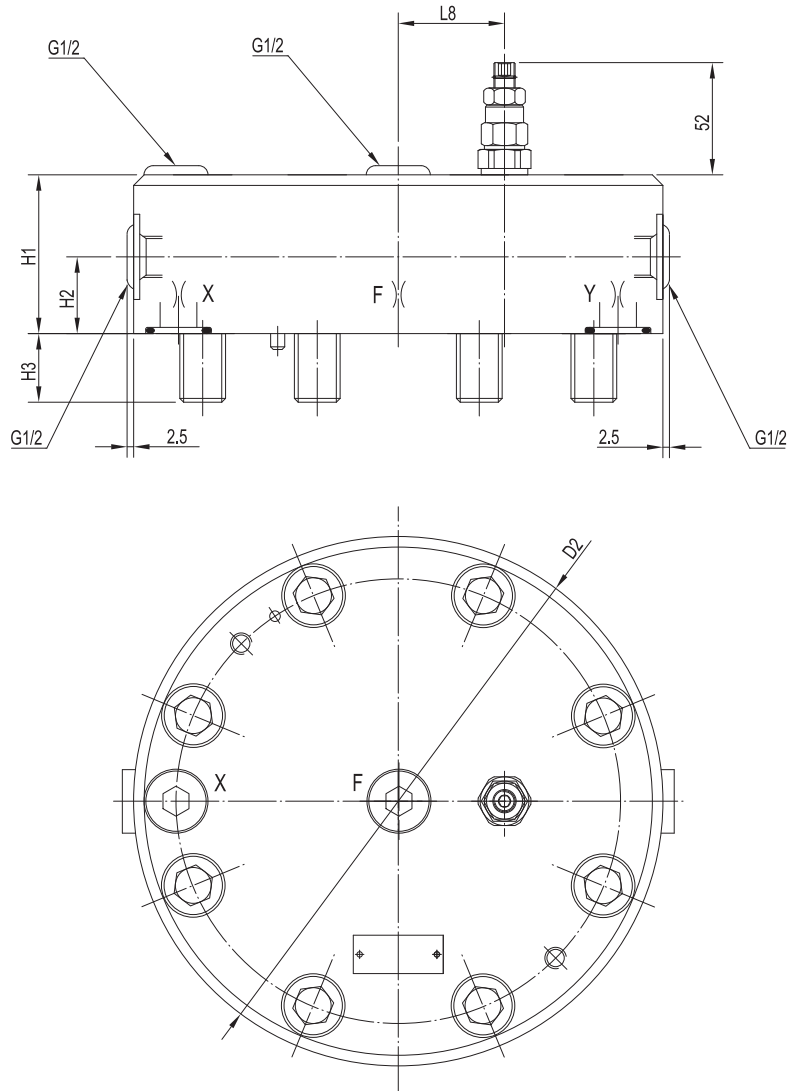
系列編號 SERIES NUMBER

單位 UNIT : mm

安裝尺寸 INSTALLATION DIMENSIONS

LFA-DB

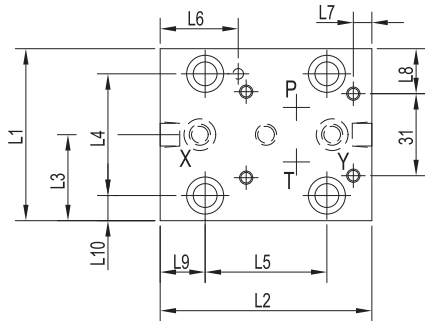
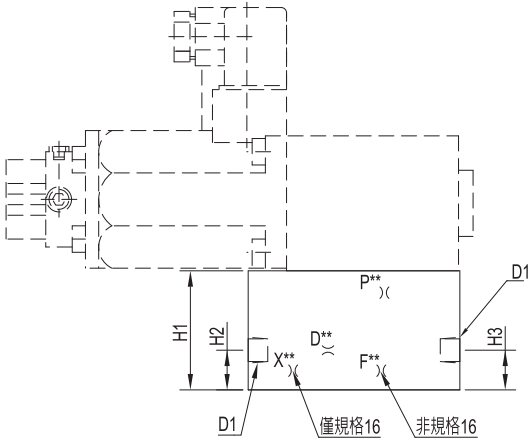
蓋板規格 CONTROL COVER SIZE : 80~100



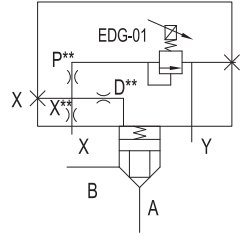
規格 SPECIFICATION	X	F	D2	H1	H2	H3	H4	L8
80	30	2.5	250	100	38	45	58	50
100	30	2.5	300	100	38	51	58	50

Control Cover For Electrical-proportional Pressure Adjustment, Without Maximum Pressure Limitation

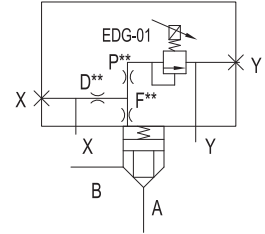
蓋板規格 CONTROL COVER SIZE : 16~63



閥類型符號 SYMBOL



LFA-16-DBE



LFA-25~63-DBE

規格 SPECIFICATION	P**	D**	X**	F**	D1	H1	H2	H3	L1
16	1.0	0.8	0.8	/	G1/4	45	15	15	65
25	1.0	0.8	/	0.8	G1/4	45	15	15	85
32	1.0	0.8	/	1.0	G1/4	50	20	20	100
40	1.5	1.0	/	1.2	G1/2	60	30	30	125
50	0.8	2.0	/	1.5	G1/2	68	34	34	140
63	0.8	2.5	/	2.0	G1/2	85	41	40	180

規格 SPECIFICATION	L2	L3	L4	L5	L6	L7	L8	L9	L10
16	80	32.5	46	46	29.5	7	17	17	9.5
25	85	42.5	58	58	26.5	21	27	13.5	13.5
32	100	50	70	70	33	28.5	34.5	15	15
40	125	62.5	85	85	39.5	41	47	20	20
50	140	70	100	100	40	48.5	54.5	20	20
63	180	90	125	125	52	68.5	74.5	27.5	27.5

型號說明

HOW TO ORDER

LFA-16-DBE

型式 TYPE

DBE : 比例壓力調節控制蓋板，不帶最高壓力限制
CONTROL COVER FOR ELECTRICAL-PROPORTIONAL PRESSURE ADJUSTMENT, WITHOUT MAXIMUM PRESSURE LIMITATION

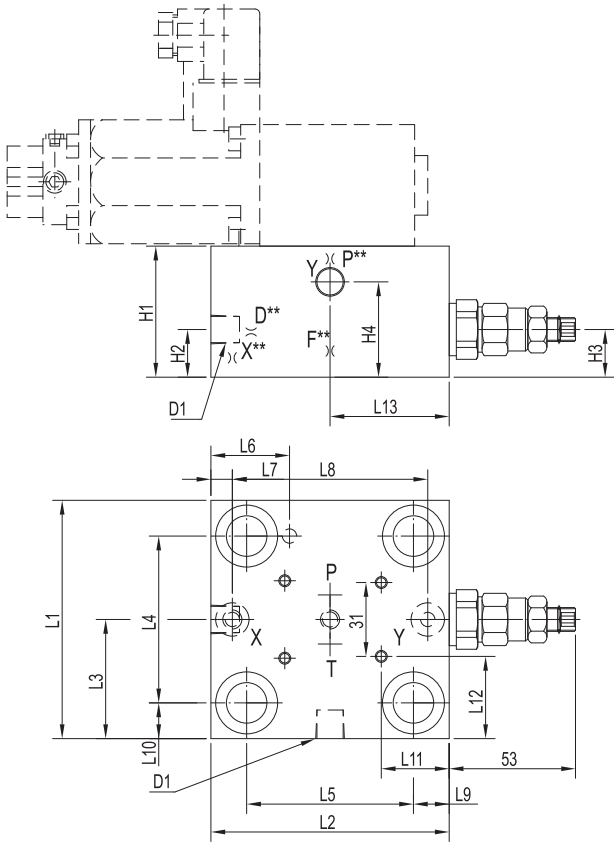
規格 SIZE

16 / 25 / 32 / 40 / 50 / 63

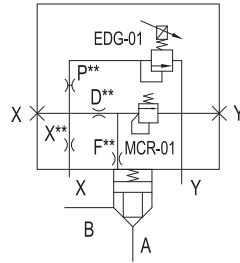
系列編號 SERIES NUMBER

Control Cover For Electrical-proportional Pressure Adjustment, With Maximum Pressure Limitation

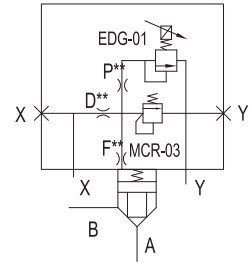
蓋板規格 CONTROL COVER SIZE : 16~63



閥類型符號 SYMBOL



LFA-16,25,32-DBEM



LFA-40,50,63,80,100-DBEM

規格 SPECIFICATION	X**	P**	F**	D**	D1	H1	H2	H3	H4	L1	L2	L3	L4	L5	L6	L7	L8	L9	L10	L11	L12	L13
16	0.8	1.0	1.0	0.8	G1/4	40	20	20	38	65	80	32.5	46	46	29.5	15	50	17	9.5	7	17	33.5
25	0.8	1.0	1.0	0.8	G1/4	40	20	20	40	85	85	42.5	58	58	26.5	9.5	66	13.5	13.5	21	27	42.5
32	1.0	1.0	1.2	1.0	G1/4	50	20	20	40	100	100	50	70	70	33	9	82	15	15	28.5	34.5	50
40	/	1.5	1.2	1.0	G1/4	60	20	20	43	125	125	62.5	85	85	39.5	12.5	100	20	20	41	47	62.5
50	/	0.8	1.5	2.0	G1/2	68	20	20	48	140	140	70	100	100	40	12	116	20	20	48.5	56.5	70
63	/	0.8	2.0	2.5	G1/2	82	30	30	57	180	180	90	125	125	52	15	150	27.5	27.5	73.5	79.5	95

型號說明

HOW TO ORDER

LFA-16-DBEM

型式 TYPE

DBEM : 比例壓力調節控制蓋板·帶最高壓力限制
CONTROL COVER FOR ELECTRICAL-
PROPORTIONAL PRESSURE ADJUSTMENT,
WITH MAXIMUM PRESSURE LIMITATION

規格 SIZE

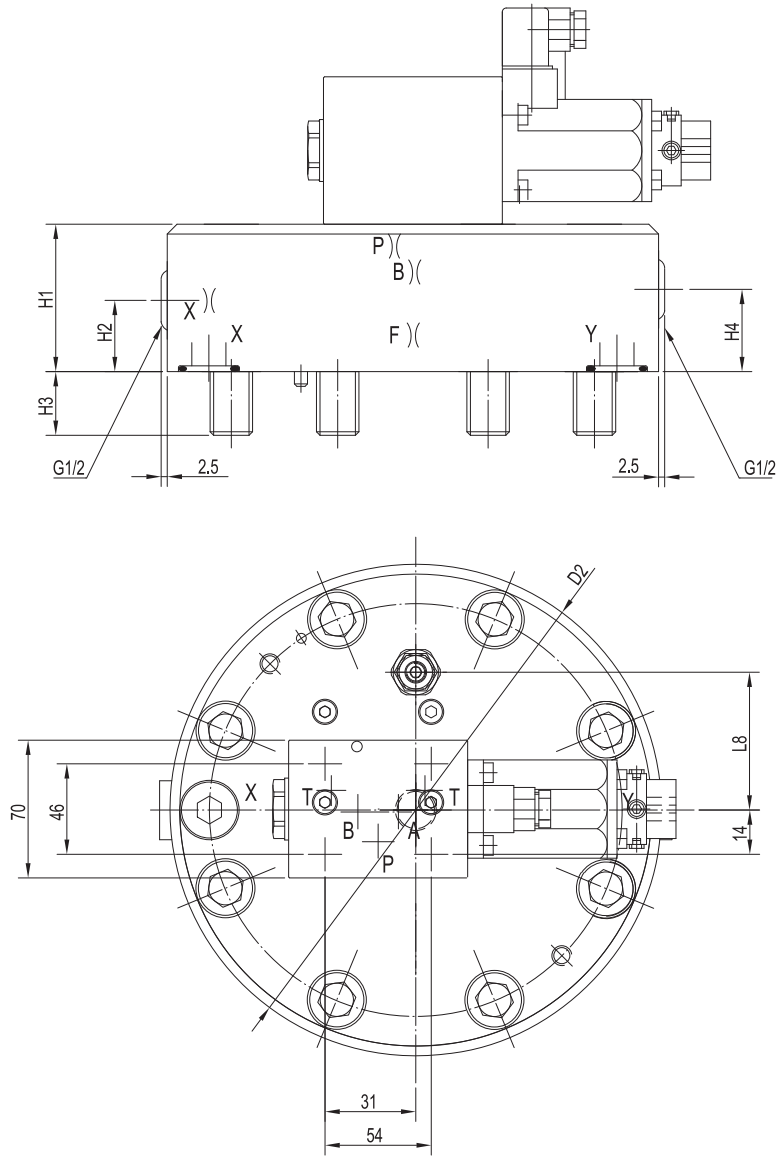
16 / 25 / 32 / 40 / 50 / 63 / 80 / 100

系列編號 SERIES NUMBER

安裝尺寸 INSTALLATION DIMENSIONS

LFA-DBEM

蓋板規格 CONTROL COVER SIZE : 80~100



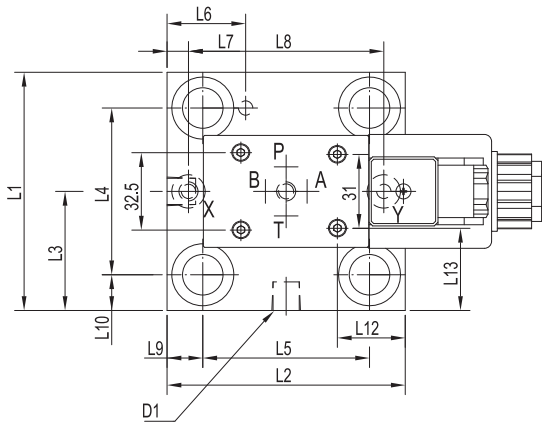
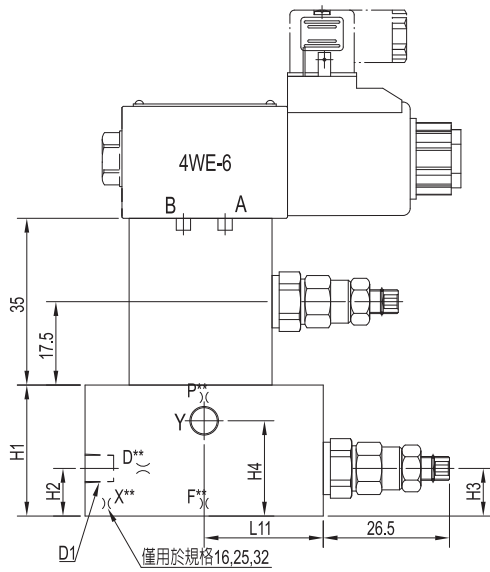
規格 SPECIFICATION	B	P	X	F	D	D2	H1	H2	H3	H4	L8
80	0.8	1.0	3.0	2.5	0.8	250	100	30	45	52	75
100	0.8	1.0	3.0	3.0	0.8	300	100	30	51	52	85

帶2個手動壓力調節裝置的控制蓋板，通過電控選擇

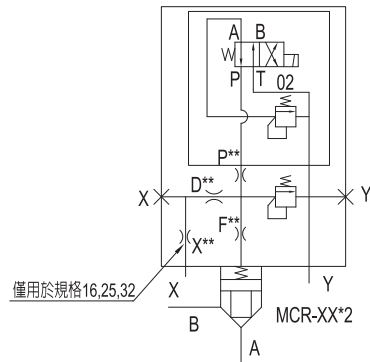


Control Cover With 2 Manual Pressure Adjusters, Electrically Selectable

蓋板規格 CONTROL COVER SIZE : 16~63



閥類型符號 SYMBOL



LFA-25-DBU2A

規格16,25,32使用MCR-01*2
規格40,50,63,80,100使用MCR-03*2

規格 SPECIFICATION	X**	F**	D**	P**	D1	H1	H2	H3	H4	L1	L2	L3	L4	L5	L6	L7	L8	L9	L10	L11	L12	L13
16	0.8	1.0	0.8	1.0	G1/4	40	20	20	38	65	80	32.5	46	46	29.5	15	50	17	9.5	40	7	17
25	0.8	1.0	0.8	1.0	G1/4	40	20	20	40	85	85	42.5	58	58	26.5	9.5	66	13.5	13.5	42.5	21	27
32	1.0	1.2	1.0	1.0	G1/4	50	20	20	40	100	100	50	70	70	33	9	82	15	15	50	28.5	34.5
40	/	1.2	1.0	1.5	G1/4	60	20	20	43	125	125	62.5	85	85	39.5	12.5	100	20	20	62.5	41	47
50	/	1.5	2.0	1.5	G1/2	68	20	20	48	140	140	70	100	100	40	12	116	20	20	70	48.5	56.5
63	/	2.0	2.5	2.5	G1/2	82	30	30	57	180	180	90	125	125	52	15	150	27.5	27.5	86	73.5	79.5

型號說明

HOW TO ORDER

LFA-16-DBU2A

型式 TYPE

DBU2A：帶2個手動壓力調節裝置的控制蓋板，通過電控選擇
CONTROL COVER WITH 2 MANUAL PRESSURE ADJUSTERS, ELECTRICALLY SELECTABLE

規格 SIZE

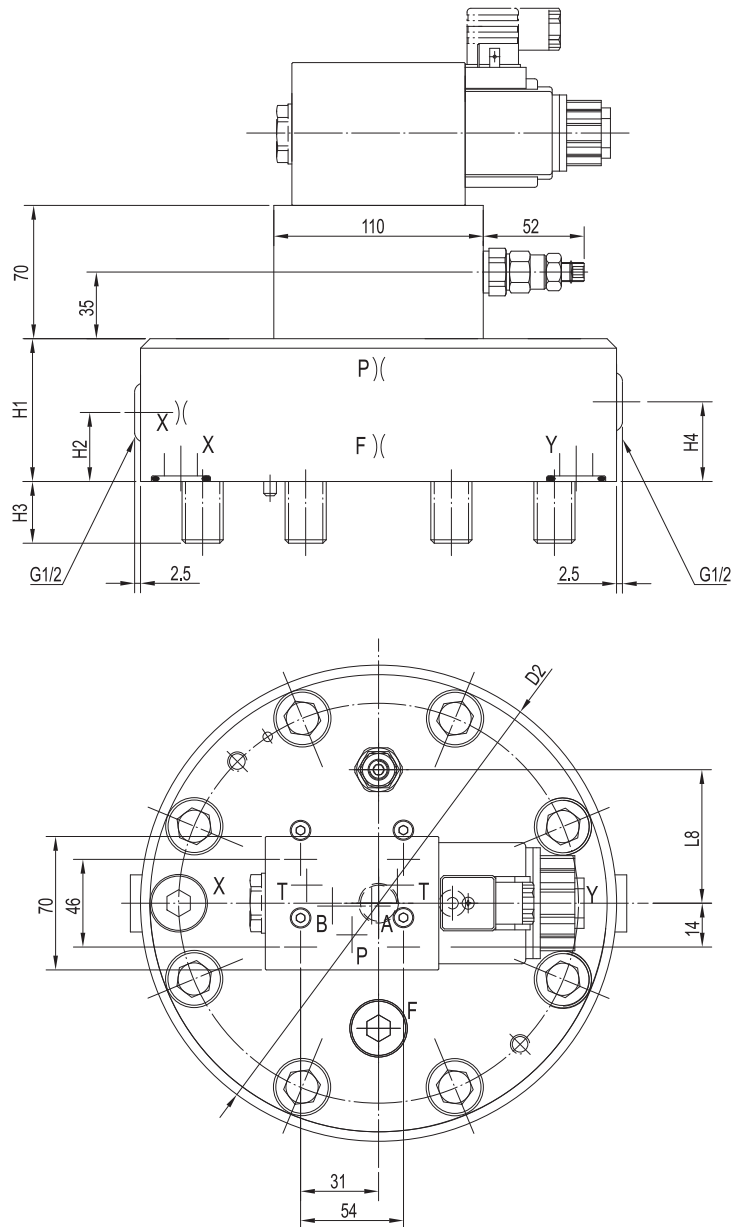
16 / 25 / 32 / 40 / 50 / 63 / 80 / 100

系列編號 SERIES NUMBER

安裝尺寸 INSTALLATION DIMENSIONS

LFA-DBU2A

蓋板規格 CONTROL COVER SIZE : 80~100



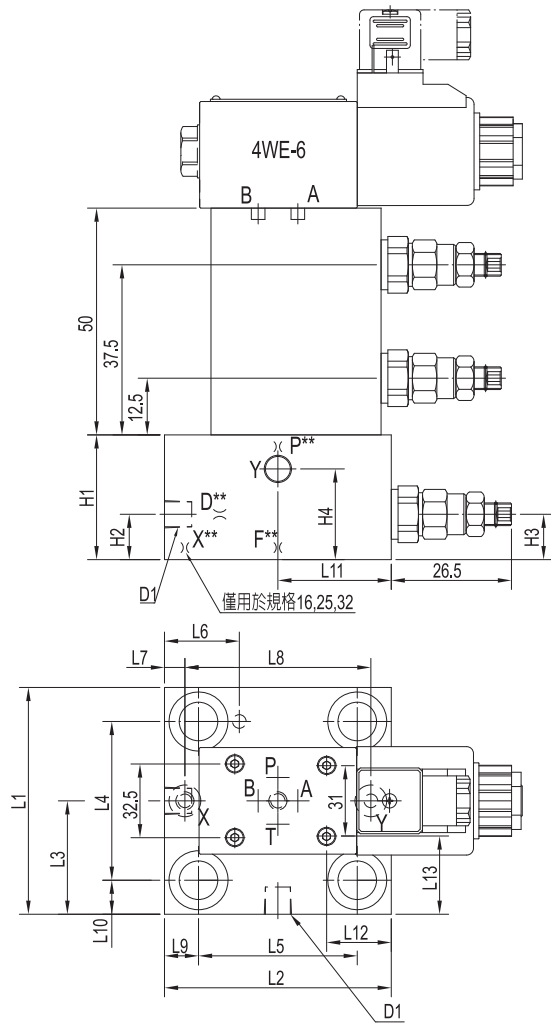
規格 SPECIFICATION	P	X	F	D2	H1	H2	H3	H4	L8
80	3.5	3.0	2.5	250	100	30	45	52	75
100	3.5	3.0	2.5	300	100	30	51	52	85

帶3個手動壓力調節裝置的控制蓋板，通過電控選擇

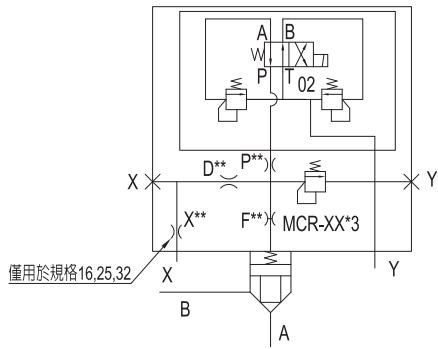


Control Cover With 3 Manual Pressure Adjusters, Electrically Selectable

蓋板規格 CONTROL COVER SIZE : 16~63



閥類型符號 SYMBOL



LFA-XX-DBU3D

規格16,25,32使用MCR-01*3

規格40,50,63,80,100使用MCR-03*3

規格 SPECIFICATION	X**	F**	D**	P**	D1	H1	H2	H3	H4	L1	L2	L3	L4	L5	L6	L7	L8	L9	L10	L11	L12	L13
16	0.8	1.0	0.8	1.0	G1/4	40	20	20	38	65	80	32.5	46	46	29.5	15	50	17	9.5	40	7	17
25	0.8	1.0	0.8	1.0	G1/4	40	20	20	40	85	85	42.5	58	58	26.5	9.5	66	13.5	13.5	42.5	21	27
32	1.0	1.2	1.0	1.0	G1/4	50	20	20	40	100	100	50	70	70	33	9	82	15	15	50	28.5	34.5
40	1.2	1.2	1.5	1.5	G1/4	60	20	20	43	125	125	62.5	85	85	39.5	12.5	100	20	20	62.5	41	47
50	1.5	2.0	1.5	1.5	G1/2	68	20	20	48	140	140	70	100	100	40	12	116	20	20	70	48.5	56.5
63	2.0	2.5	2.5	2.5	G1/2	82	30	30	57	180	180	90	125	125	52	15	150	27.5	27.5	86	73.5	79.5

型號說明

HOW TO ORDER

LFA-16-DBU3D

型式 TYPE

DBU3D：帶3個手動壓力調節裝置的控制蓋板 ·
通過電控選擇
CONTROL COVER WITH 3 MANUAL
PRESSURE ADJUSTERS, ELECTRICALLY
SELECTABLE

規格 SIZE

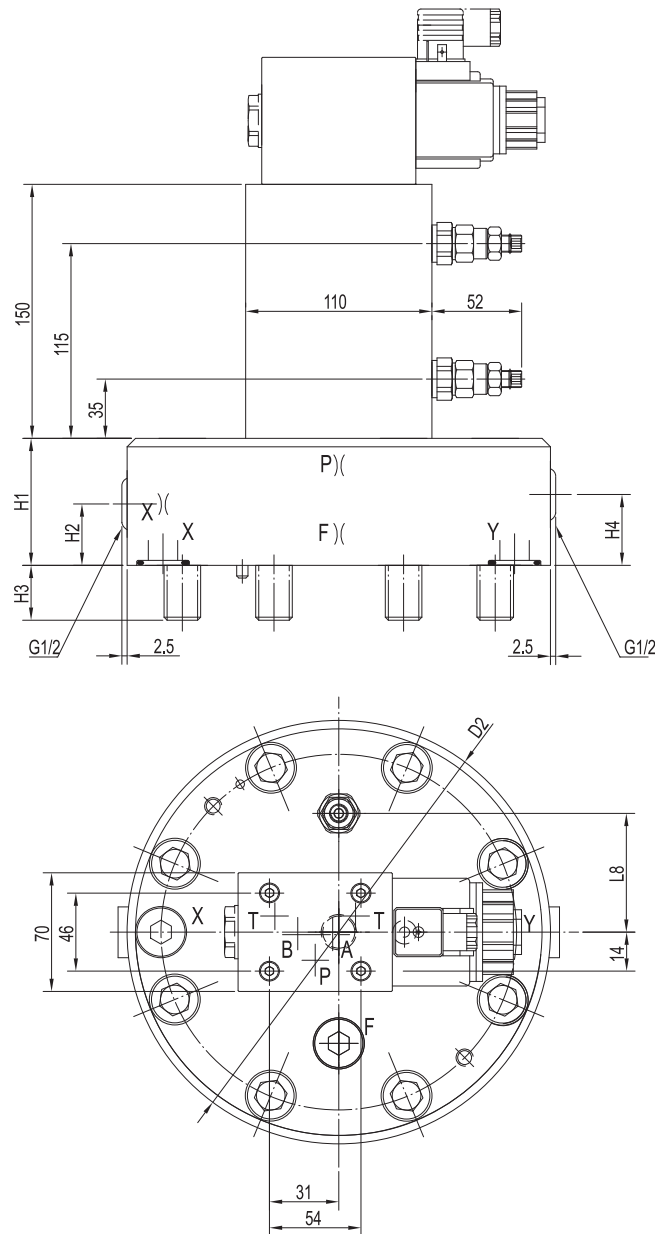
16 / 25 / 32 / 40 / 50 / 63 / 80 / 100

系列編號 SERIES NUMBER

安裝尺寸 INSTALLATION DIMENSIONS

LFA-DBU3D

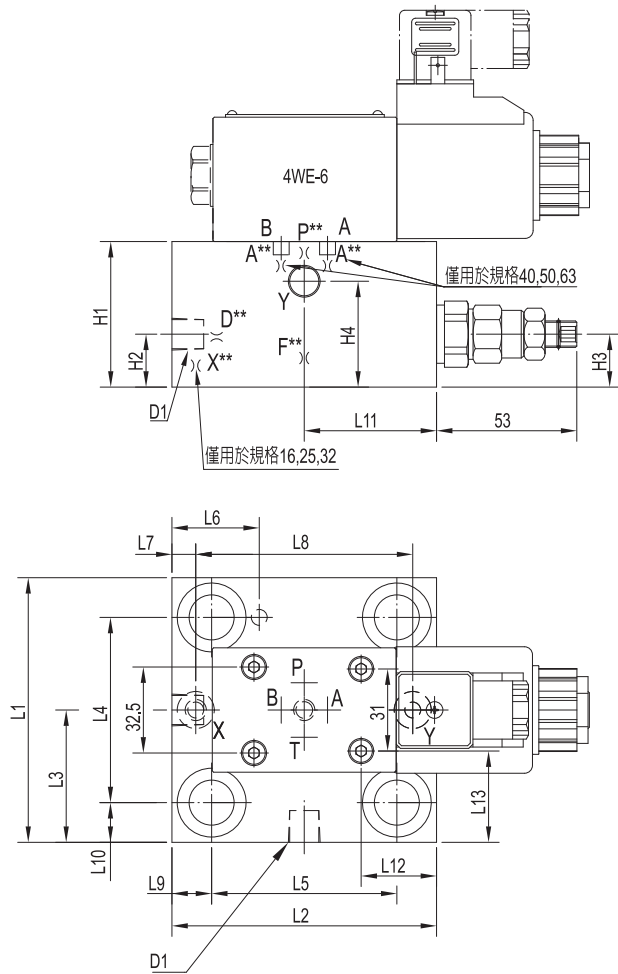
蓋板規格 CONTROL COVER SIZE : 80~100



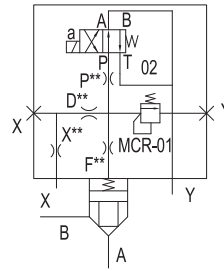
規格 SPECIFICATION	P	X	F	D2	H1	H2	H3	H4	L8
80	3.5	3.0	2.5	250	100	30	45	52	75
100	3.5	3.0	2.5	300	100	30	51	52	85

Control Cover With Manual Pressure Adjustment, For Electrical Unloading

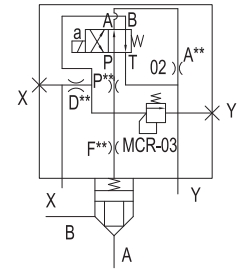
蓋板規格 CONTROL COVER SIZE : 16~63



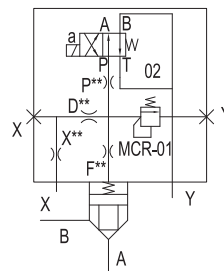
閥類型符號 SYMBOL



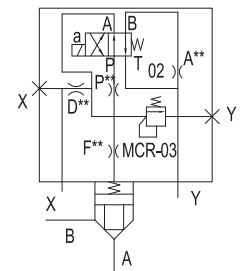
LFA-16,25,32-DBW-1PN



LFA-40,50,63,80,100-DBW-1PN



LFA-16,25,32-DBW-1NP



LFA-40,50,63,80,100-DBW-1NP

規格 SPECIFICATION	X**	F**	D**	P**	A**	D1	H1	H2	H3	H4	L1	L2	L3	L4	L5	L6	L7	L8	L9	L10	L11	L12	L13
16	0.8	1.0	0.8	1.0		G1/4	40	20	20	38	65	80	32.5	46	46	29.5	15	50	17	9.5	40	7	17
25	0.8	1.0	0.8	1.0		G1/4	40	20	20	40	85	85	42.5	58	58	26.5	9.5	66	13.5	13.5	42.5	21	27
32	1.0	1.2	1.0	1.0		G1/4	50	20	20	40	100	100	50	70	70	33	9	82	15	15	50	28.5	34.5
40		1.2	1.0	1.5	0.8	G1/4	60	20	20	43	125	125	62.5	85	85	39.5	12.5	100	20	20	62.5	41	47
50		1.5	2.0	1.5	0.8	G1/2	68	20	20	48	140	140	70	100	100	40	12	116	20	20	70	48.5	56.5
63		2.0	2.5	2.5	1.0	G1/2	82	30	30	57	180	180	90	125	125	52	15	150	27.5	27.5	86	73.5	79.5

型號說明

HOW TO ORDER

LFA-16-DBW

型式 TYPE

DBW : 手動壓力調節控制蓋板 · 帶電卸荷功能
CONTROL COVER WITH MANUAL
PRESSURE ADJUSTMENT, FOR
ELECTRICAL UNLOADING

規格 SIZE

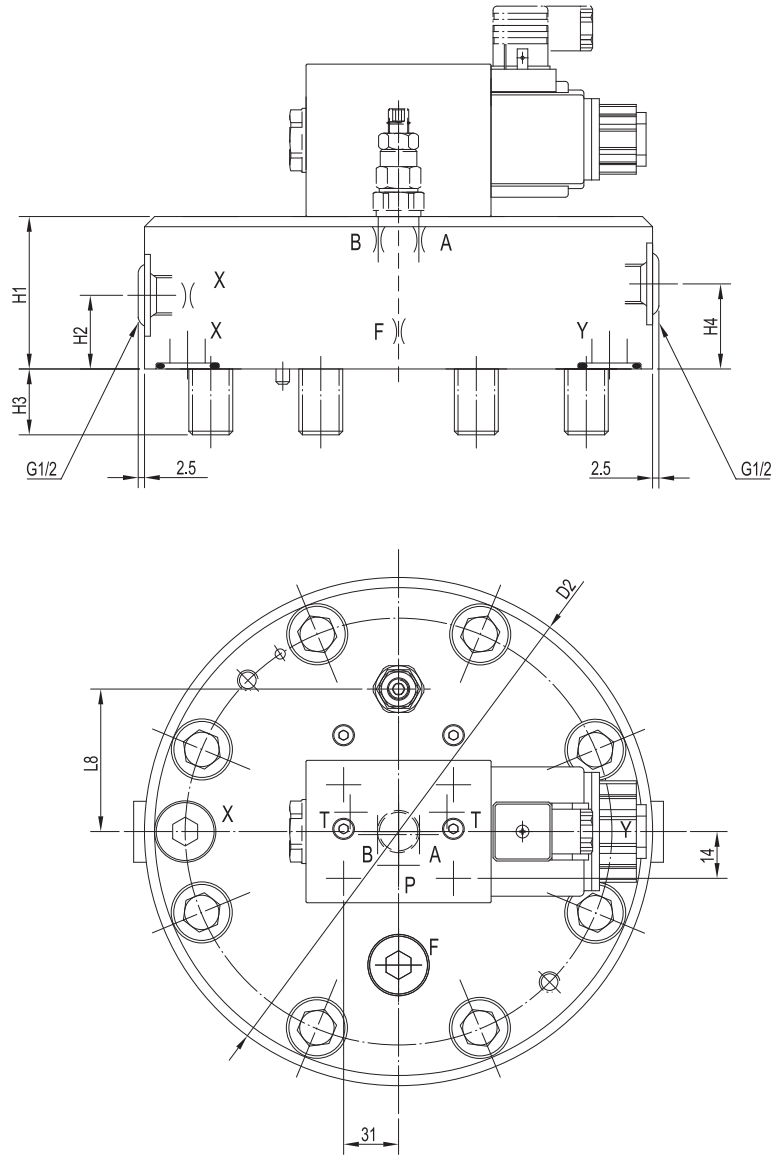
16 / 25 / 32 / 40 / 50 / 63 / 80 / 100

系列編號 SERIES NUMBER

安裝尺寸 INSTALLATION DIMENSIONS

LFA-DBW

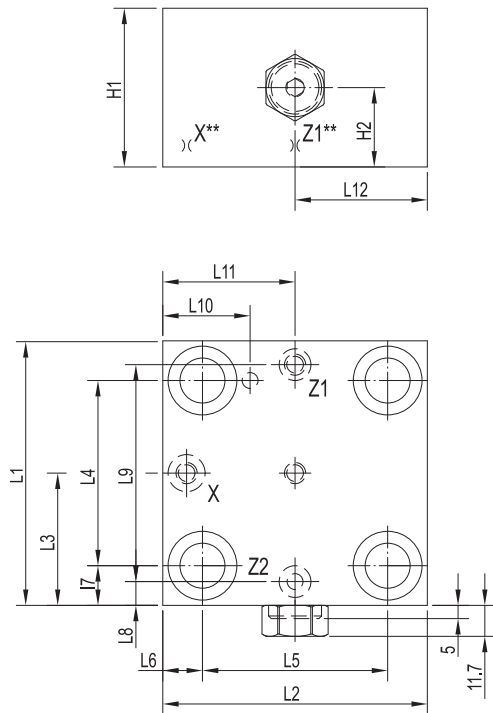
蓋板規格 CONTROL COVER SIZE : 80~100



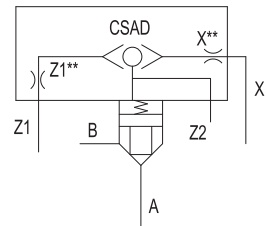
規格 SPECIFICATION	A	B	P	X	F	D2	H1	H2	H3	H4	L8
80	1.2	3.0	3.5	3.0	2.5	250	100	30	45	52	75
100	1.5	3.0	3.5	3.0	2.5	300	100	30	51	52	85

Control Cover With Integrated Shuttle Valve

蓋板規格 CONTROL COVER SIZE : 16~63



閥類型符號 SYMBOL



LFA-※-G-7X

規格16~32使用 CSAD-10

規格40~100使用 J-CSAD

規格 SPECIFICATION	X**	Z1**	H1	H2	L1	L2	L3	L4	L5	L6	L7	L8	L9	L10	L11	L12
16	1.2	1.2	40	30	65	80	32.5	46	46	17	9.5	7.5	50	29.5	40	40
25	1.5	1.5	40	31	85	85	42.5	58	58	13.5	13.5	9.5	66	26.5	42.5	42.5
32	2.0	2.0	50	30	100	100	50	70	70	15	15	9	82	33	50	50
40	RC1/8	RC1/8	60	37	125	125	62.5	85	85	20	20	12.5	100	39.5	62.5	53.5
50	RC1/8	RC1/8	68	37	140	140	70	100	100	20	20	12	116	40	70	70
63	RC1/4	RC1/4	82	41	180	180	90	125	125	27.5	27.5	15	150	52	90	90

型號說明

HOW TO ORDER

LFA-16-G

型式 TYPE

G : 內置梭閥的控制蓋板
CONTROL COVER WITH INTEGRATED
SHUTTLE VALVE

規格 SIZE

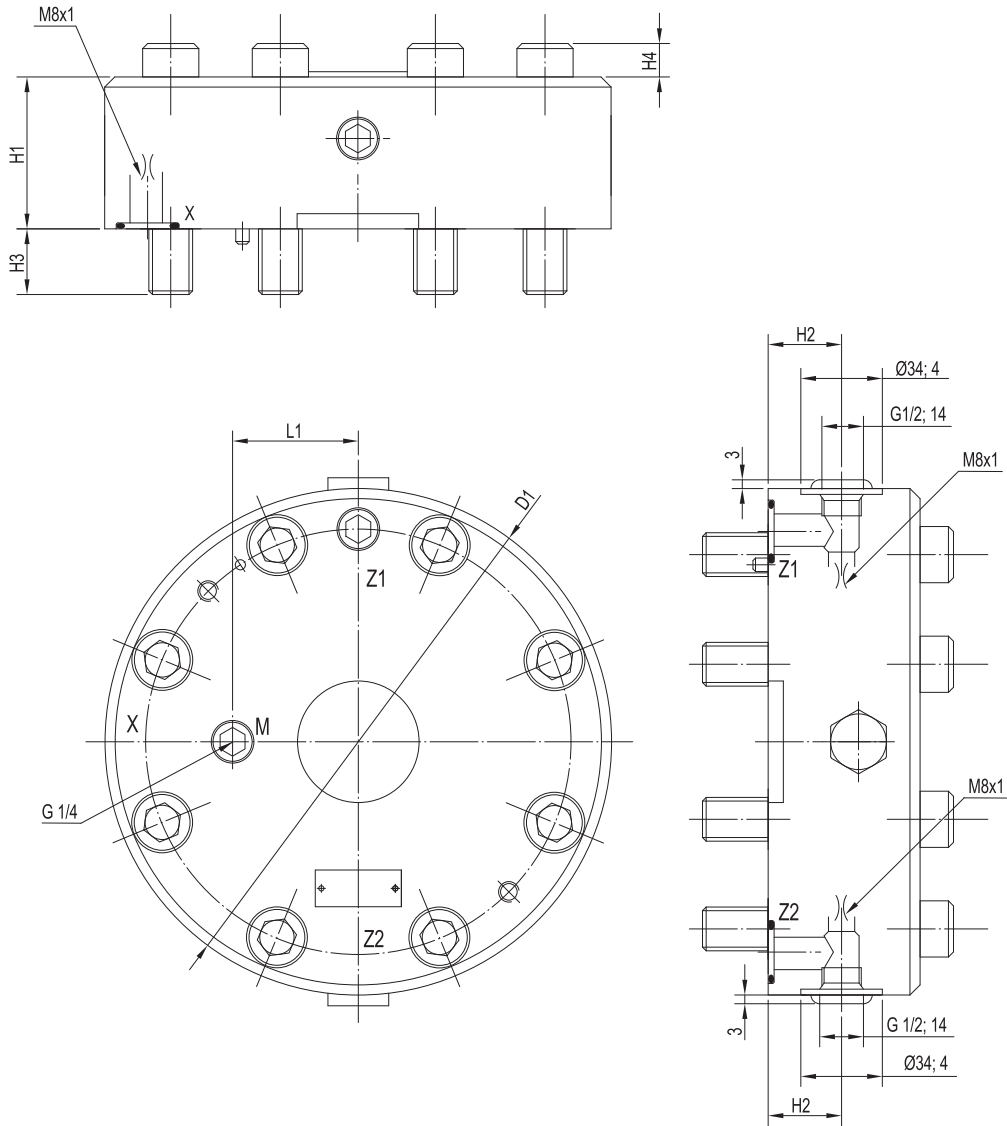
16 / 25 / 32 / 40 / 50 / 63 / 80 / 100

系列編號 SERIES NUMBER

安裝尺寸 INSTALLATION DIMENSIONS

LFA-G

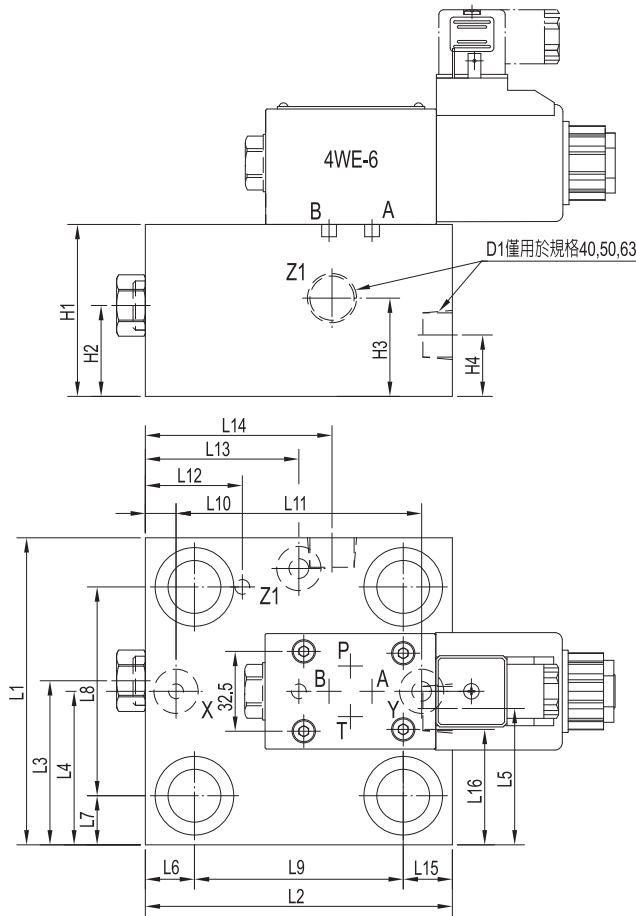
蓋板規格 CONTROL COVER SIZE : 80~100



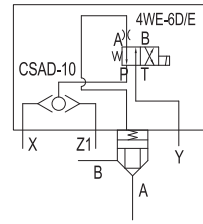
規格 SPECIFICATION	D1	H1	H2	H3	H4	T1
80	250	70	45	45	4	73
100	300	75	43	52.5	23.5	96.5

Control Cover For Mounting A Directional Spool Valve

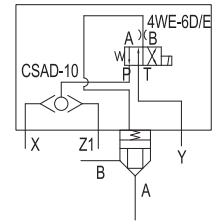
蓋板規格 CONTROL COVER SIZE : 16~63



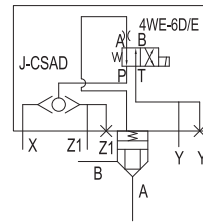
閥類型符號 SYMBOL



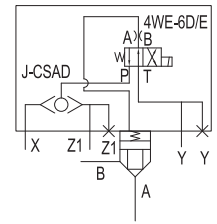
LFA-16~32-GWA



LFA-16~32-GWB



LFA-40~100-GWA



LFA-40~100-GWB

規格 SPECIFICATION	D1	H1	H2	H3	H4	L1	L2	L3	L4	L5	L6	L7	L8	L9	L10	L11	L12	L13	L14	L15	L16
16		65	37			65	80	36.8	32.5		17	9.5	46	46	15	50	29.5	40		7	17
25		65	37			85	85	46.8	42.5		13.5	13.5	58	58	9.5	66	26.5	42.5		21	27
32		70	37			100	100	54.3	50		15	15	70	70	9	82	33	50		28.5	34.5
40	G1/2	70	37	40	25	125	125	66.8	62.5	55.5	20	20	85	85	12.5	100	39.5	62.5	76	20	47
50	G1/2	70	37	40	25	140	140	74.3	70	63	20	20	100	100	12	116	40	70	76	32.5	54.5
63	G1/2	82	46	46	40	180	180	85	90	95	27.5	27.5	125	125	15	150	52	90	90	57	64

型號說明

HOW TO ORDER

LFA-16-GWA

型式 TYPE

GWA / GWB : 用於裝配方向滑閥或方向座閥的控制蓋板
CONTROL COVER FOR MOUNTING
A DIRECTIONAL SPOOL VALVE

規格 SIZE

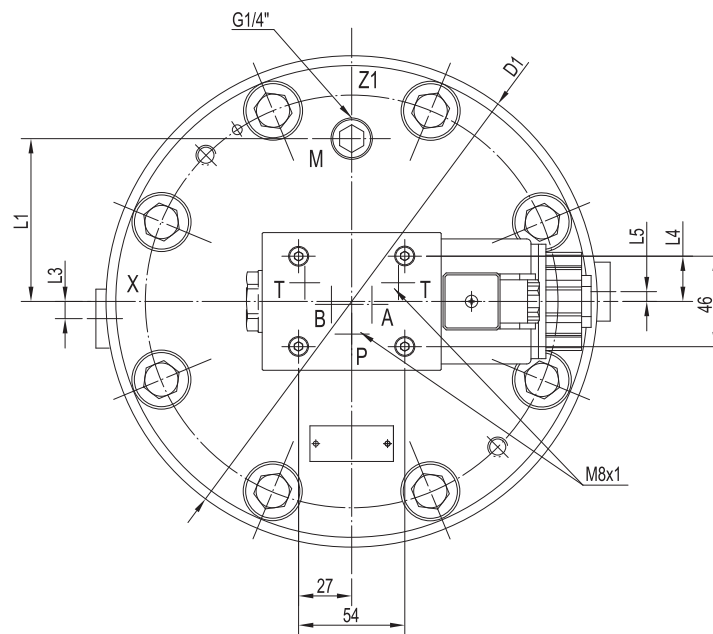
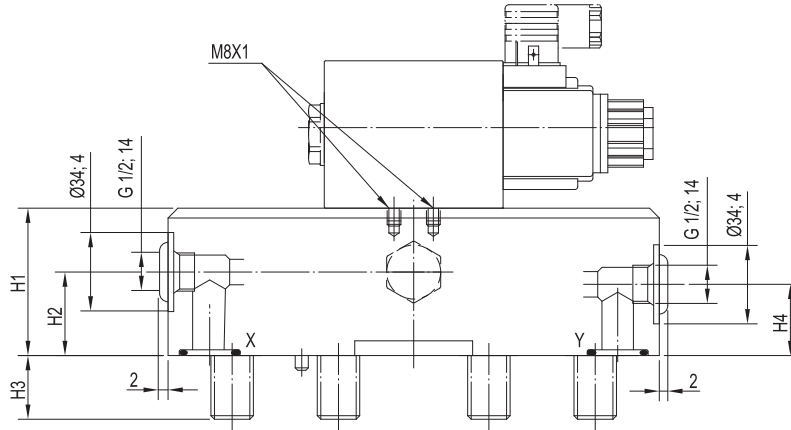
16 / 25 / 32 / 40 / 50 / 63 / 80 / 100

系列編號 SERIES NUMBER

安裝尺寸 INSTALLATION DIMENSIONS

LFA-GWA

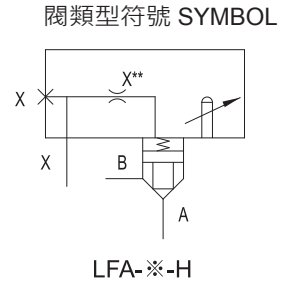
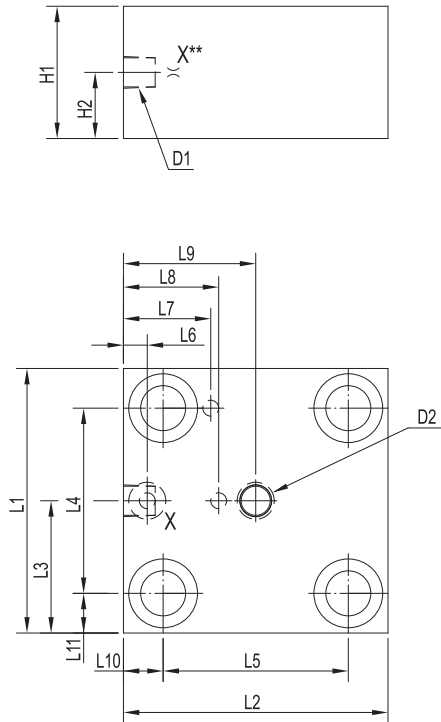
蓋板規格 CONTROL COVER SIZE : 80~100



規格 SPECIFICATION	D1	H1	H2	H3	H4	L3	L4	L5
80	250	80	26	45	26	9	29	10.5
100	300	100	40	52.5	55	13	28	13

Control Cover With Stroke Limiter And Remote Control Port

蓋板規格 CONTROL COVER SIZE : 16~63



規格 SPECIFICATION	X**	D1	D2	H1	H2	L1	L2	L3	L4	L5	L6	L7	L8	L9	L10	L11
16	M6	G1/4	M8	40	20	65	80	32.5	46	46	15	29.5	31.5	40	17	9.5
25	M6	G1/4	M8	40	20	85	85	42.5	58	58	9.5	26.5	30.5	42.5	13.5	13.5
32	M6	G1/4	M12	50	20	100	100	50	70	70	9	33	36	50	15	15
40	M8	G1/4	M16	60	20	125	125	62.5	85	85	12.5	39.5	46	62.5	20	20
50	M8	G1/2	M16	68	20	140	140	70	100	100	12	40	54.5	70	20	20
63	G3/8	G1/2	M16	82	30	180	180	90	125	125	15	52	70	90	27.5	27.5

型號說明

HOW TO ORDER

LFA-16-H

型式 TYPE

H: 帶行程限位器和遙控的控制蓋板
CONTROL COVER WITH STROKE LIMITER
AND REMOTE CONTROL PORT

規格 SIZE

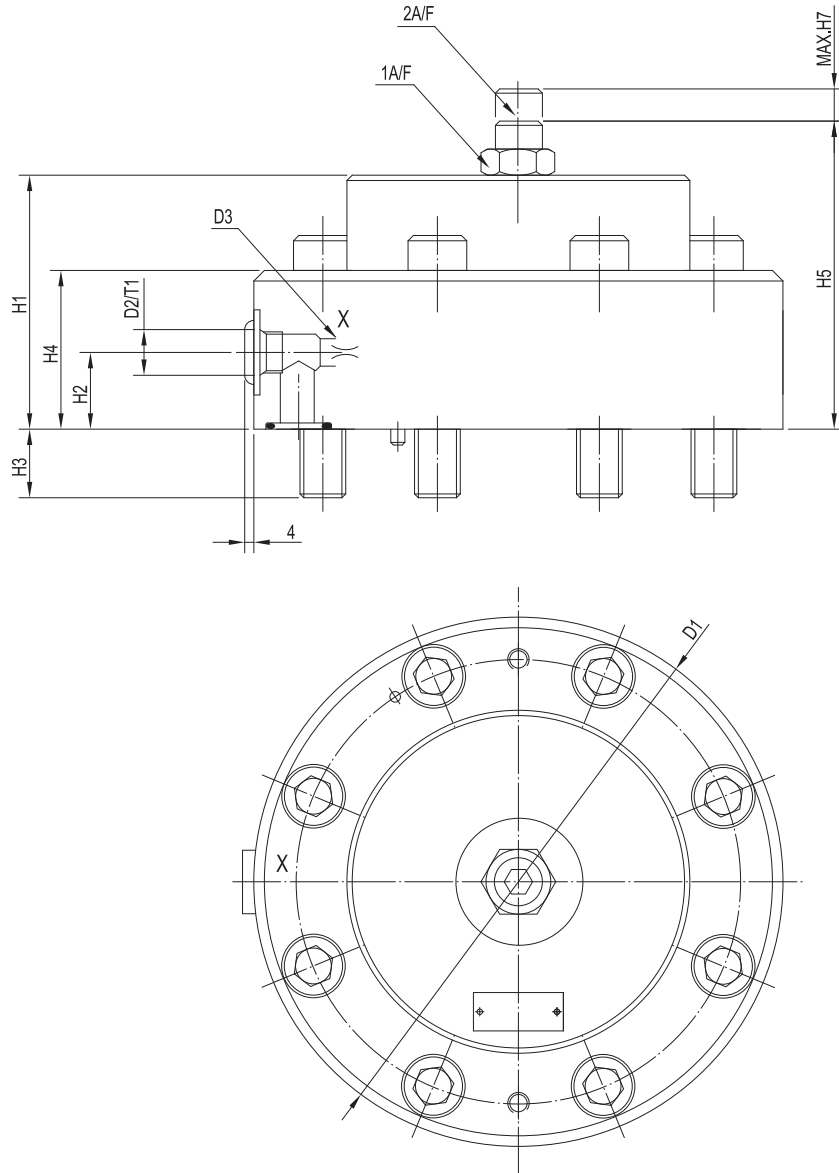
16 / 25 / 32 / 40 / 50 / 63 / 80 / 100

系列編號 SERIES NUMBER

安裝尺寸 INSTALLATION DIMENSIONS

LFA-H

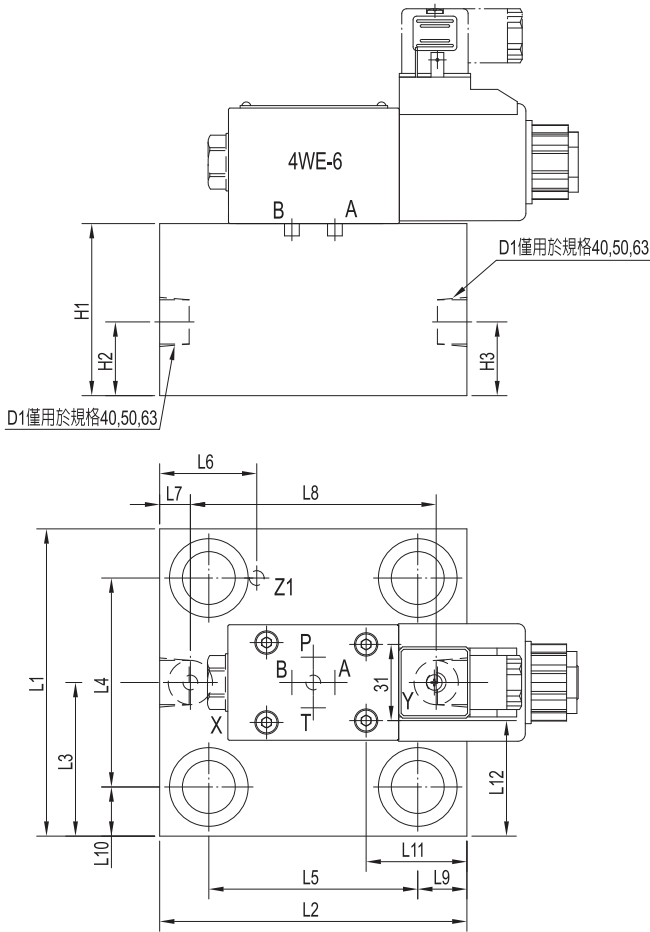
蓋板規格 CONTROL COVER SIZE : 80~100



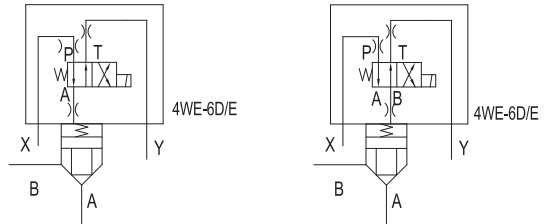
規格 SPECIFICATION	D1	D2	D3	H1	H2	H3	H4	H5	H6	H7	T1	1A/F	2A/F
80	250	G3/4	G3/8	114	35 24	45	76	137	229	30	16	75	24
100	300	G1	G1/2	132	35	52.5	88.5	157	247	38	18	75	27

Control Cover For Mounting A Directional Spool Or Poppet Valve

蓋板規格 CONTROL COVER SIZE : 16~63

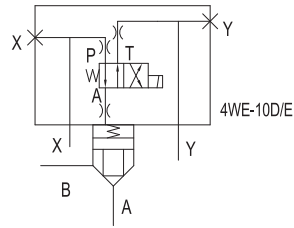


閥類型符號 SYMBOL

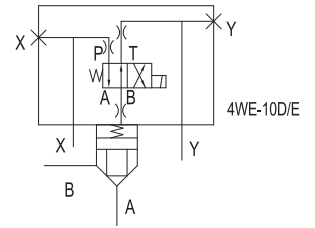


LFA-16~32-WEA

LFA-16~32-WEB



LFA-40~100-WEA



LFA-40~100-WEB

規格 SPECIFICATION	D1	H1	H2	H3	L1	L2	L3	L4	L5	L6	L7	L8	L9	L10	L11	L12
16	/	40	/	/	65	80	/	46	46	29.5	15	50	17	9.5	7	17
25	/	40	/	/	85	85	/	58	58	26.5	9.5	66	13.5	13.5	21	27
32	/	50	/	/	100	100	/	70	70	33	9	82	15	15	28.5	34.5
40	G1/4	60	30	30	125	125	67.5	85	85	39.5	12.5	100	20	20	41	47
50	G1/2	68	32	32	140	140	75	100	100	40	12	116	20	20	48.5	56.5
63	G1/2	82	40	40	180	180	83	125	125	52	15	150	27.5	27.5	96	69

型號說明

HOW TO ORDER

LFA-16-WEA

型式 TYPE

WEA/WEB : 用於裝配方向滑閥或方向座閥的控制蓋板
CONTROL COVER FOR MOUNTING
A DIRECTIONAL SPOOL OR POPPET
VALVE

規格 SIZE

16 / 25 / 32 / 40 / 50 / 63 / 80 / 100

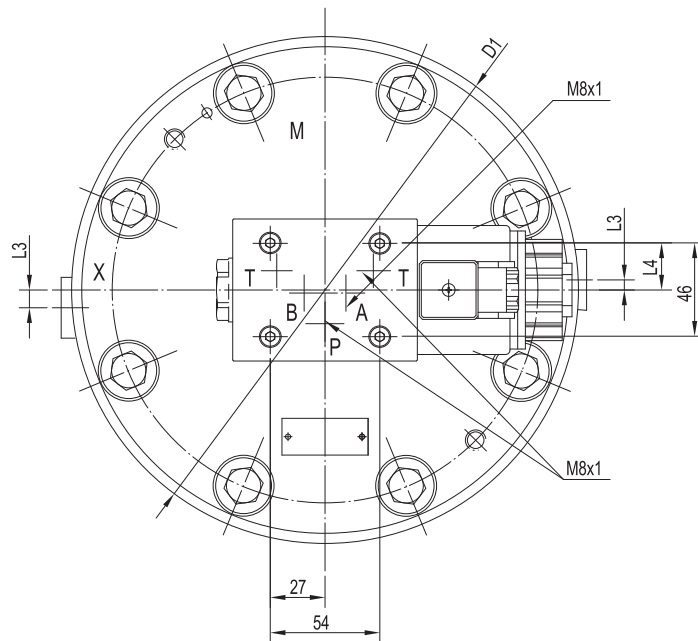
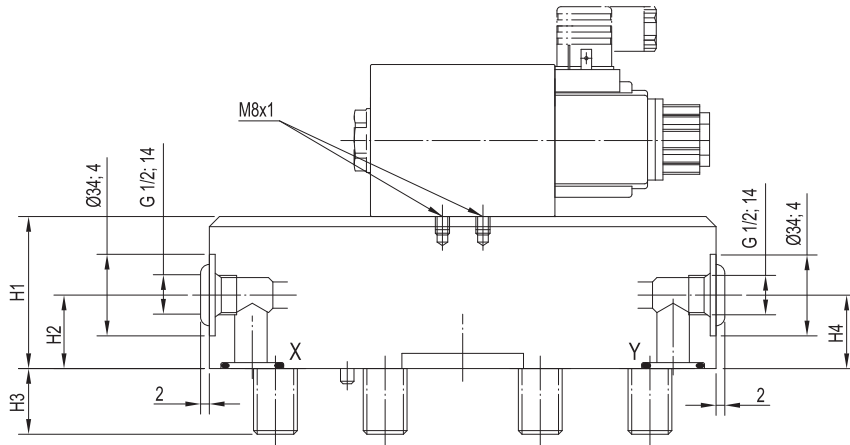
系列編號

SERIES NUMBER

安裝尺寸 INSTALLATION DIMENSIONS

LFA-WEA/B

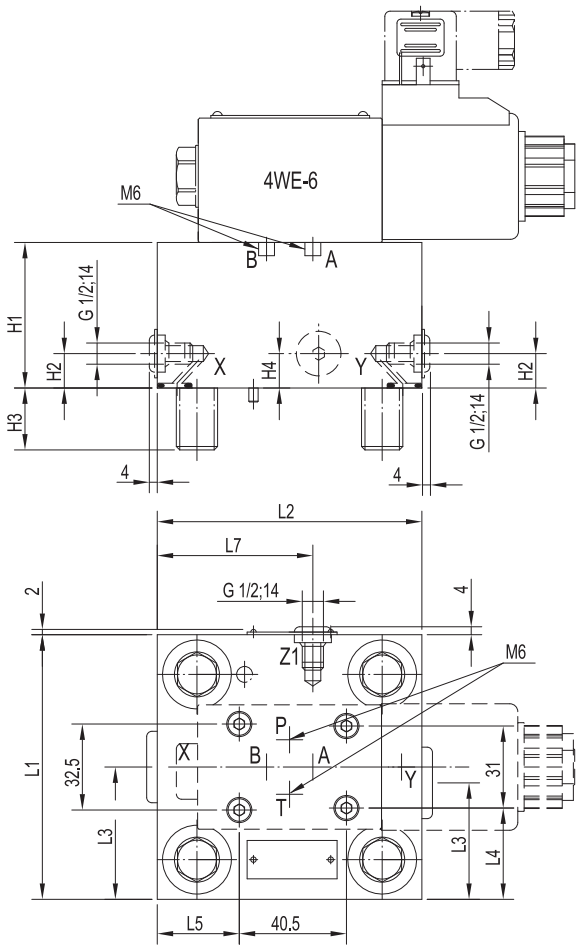
蓋板規格 CONTROL COVER SIZE : 80~100



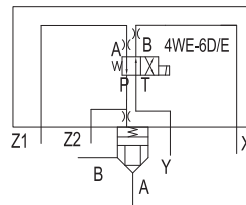
規格 SPECIFICATION	D1	H1	H2	H3	H4	L3	L4
80	250	80	30	45	45	10	30
100	300	100	24	52.5	55	13	28

Control Cover For Mounting A Directional Spool Valve

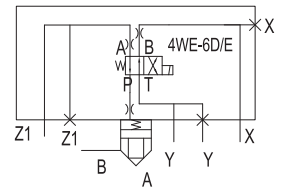
蓋板規格 CONTROL COVER SIZE : 16~63



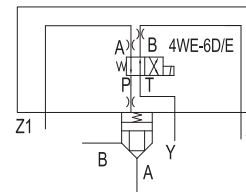
閥類型符號 SYMBOL



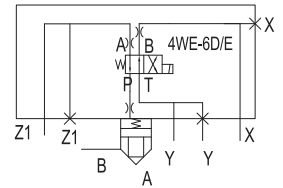
LFA-16-WECA



LFA-40~63-WECA



LFA-25,32-WECA



LFA-80,100-WEA9

※ LFA-WECA

規格 SPECIFICATION	H1	H2	H3	H4	L1	L2	L3	L4	L5	L6	L7
16	40	/	15	/	65	80	/	17	7	/	/
25	40	/	24	/	85	85	/	27	23.5	/	/
32	50	/	28	/	100	100	/	34.5	31	/	/
40	60	30	32	30	125	125	53	47	43.5	62.5	72
50	68	32	34	32	140	140	65	54.5	51	70	80
63	82	40	50	60	180	180	79	74.5	71	90	101

型號說明

HOW TO ORDER

LFA - 16 - WECA

型式 TYPE

WECA / WEA9 : 用於裝配方向滑閥的控制蓋板
CONTROL COVER FOR MOUNTING
A DIRECTIONAL SPOOL VALVE

規格 SIZE

16 / 25 / 32 / 40 / 50 / 63 / 80 / 100

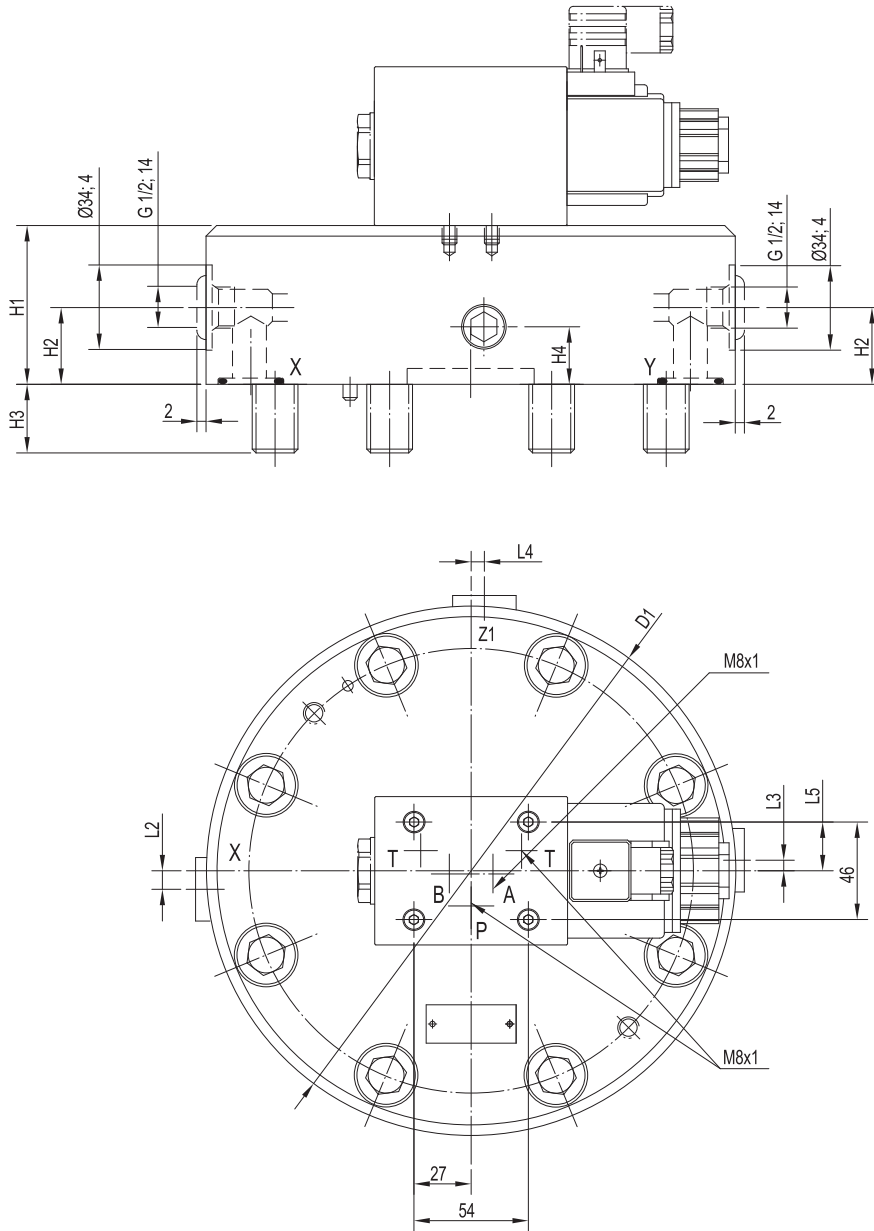
系列編號

SERIES NUMBER

安裝尺寸 INSTALLATION DIMENSIONS

LFA-WEA9

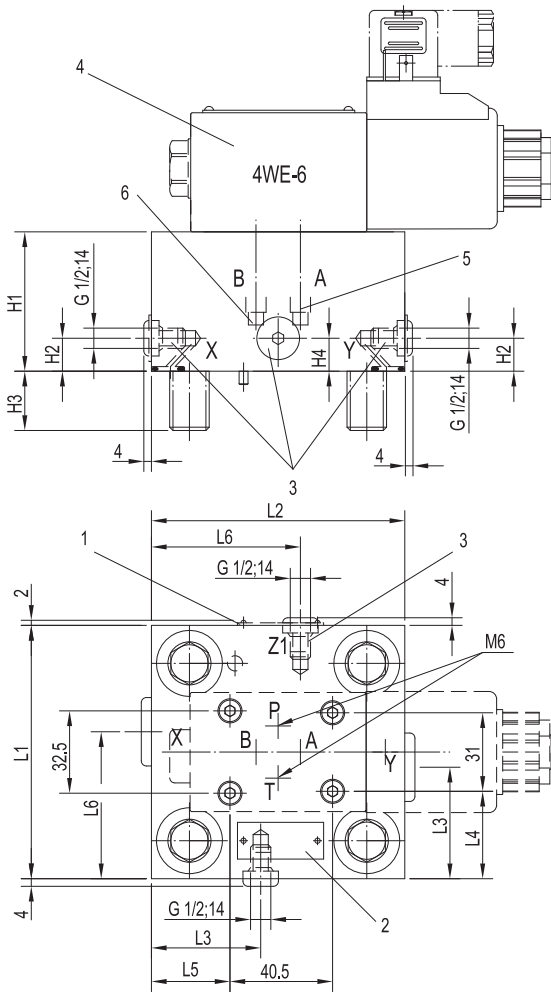
蓋板規格 CONTROL COVER SIZE : 80~100



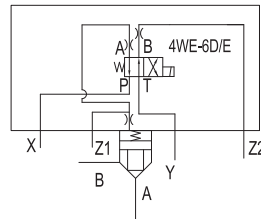
規格 SPECIFICATION	D1	H1	H2	H3	H4	L2	L3	L4	L5
80	250	80	30	45	30	0	6	6	23
100	300	100	40	52.5	70	6	6	6	19

Control Cover For Mounting A Directional Spool or Poppet Valve

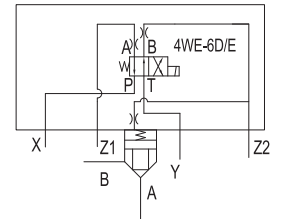
蓋板規格 CONTROL COVER SIZE : 16~63



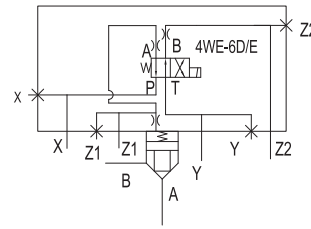
閥類型符號 SYMBOL



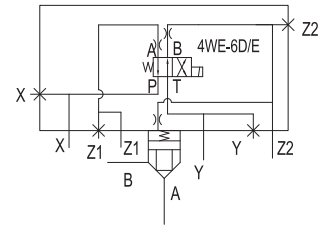
LFA-16-32-WEMA



LFA-16-32-WEMB



LFA-40-63-WEMA
LFA-80,100-WEA8



LFA-40-63-WEMB
LFA-80,100-WEB8

※LFA-WEMA / WEMB

規格 SPECIFICATION	H1	H2	H3	H4	L1	L2	L3	L4	L5	L6
16	40	/	15	/	65	80	/	17	7	/
25	40	/	24	/	85	85	/	27	23.5	/
32	50	/	28	/	100	100	/	34.5	31	/
40	60	30	32	30	125	125	53	47	43.5	72
50	68	32	34	32	140	140	65	54.5	51	80
63	82	40	50	60	180	180	79	74.5	71	101

型號說明

HOW TO ORDER

LFA-16-WEMA

型式 TYPE

WEMA / WEA8 WEMB / WEB8 :
用於裝配方向滑閥或方向座閥的控制蓋板
CONTROL COVER FOR MOUNTING A DIRECTIONAL
SPOOL OR POPPET VALVE

規格 SIZE

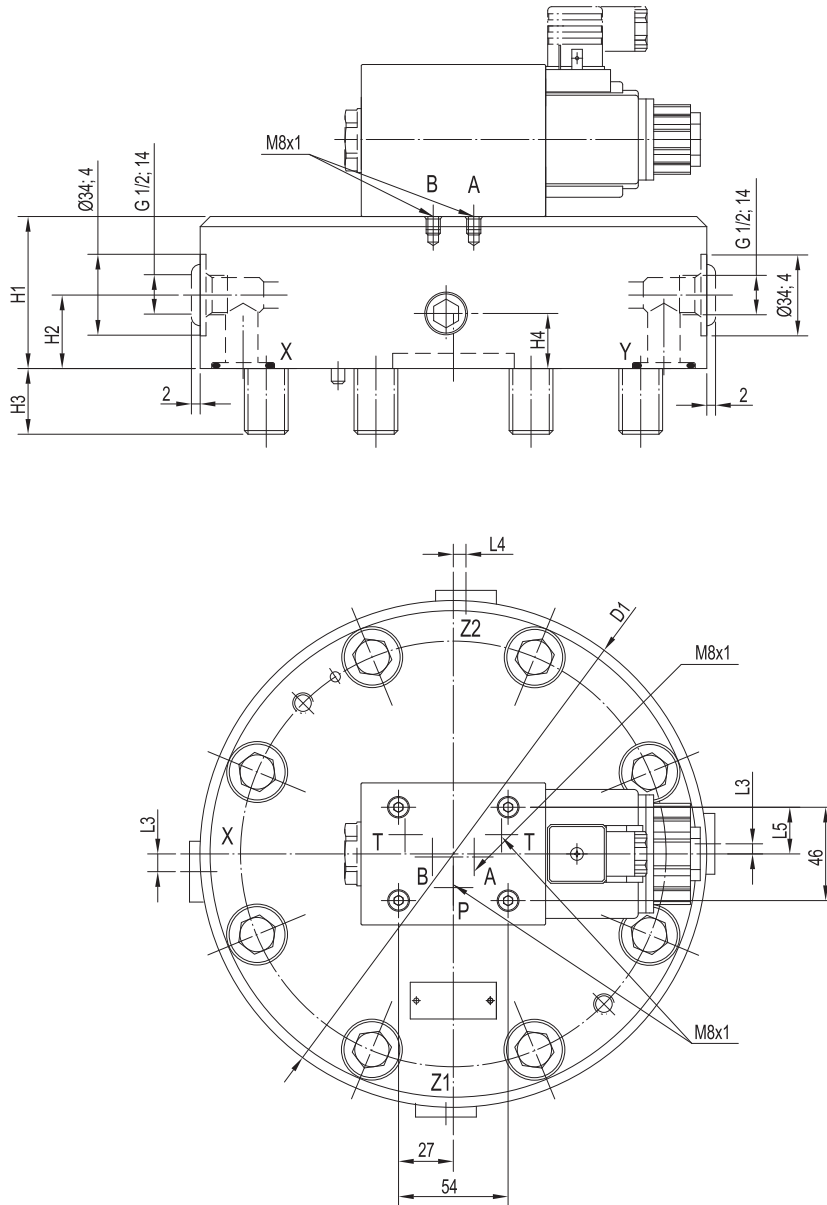
16 / 25 / 32 / 40 / 50 / 63 / 80 / 100

系列編號 SERIES NUMBER

安裝尺寸 INSTALLATION DIMENSIONS

LFA-WEB8

蓋板規格 CONTROL COVER SIZE : 80~100



規格 SPECIFICATION	D1	H1	H2	H3	H4	L3	L4	L5
80	250	80	42	45	26	10	10	30
100	300	100	55	52.5	35	13	9.5	27